

HI-VARITARGET

Variable Flow Rate Nozzle



EXCELLENT FOR BROADCAST APPLICATION OF VARYING RATES

ONE VARITARGET NOZZLE REPLACES EIGHT
CONVENTIONAL NOZZLES !

●●●● **Flow Rate Controllable On The Go** ●●●●

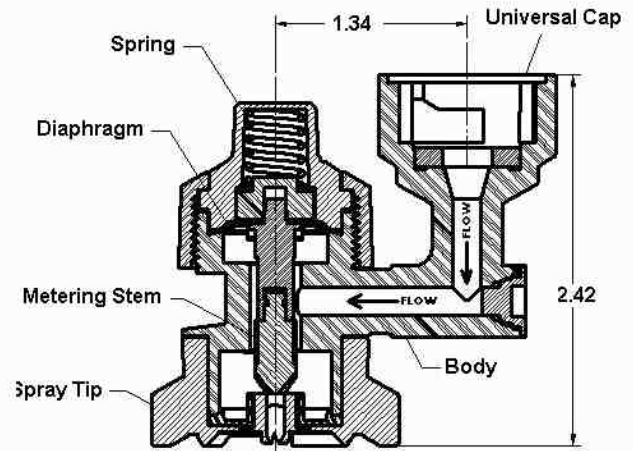
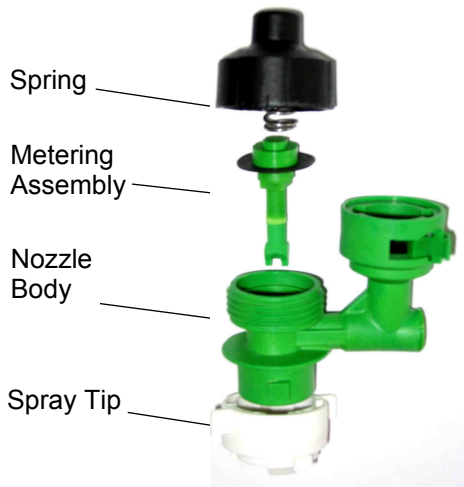
AE50 AWARD WINNER

SprayTarget

Ph: (651) 485-2410

Fax: (651) 344-3226

www.spraytarget.com



Hi-VariTarget is a nozzle that is capable of controlling flow rate and maintaining proper spray pattern and droplet size over an extended range of flow rates. The nozzle comprises a flexible spray tip that is automatically and appropriately deformed by a flexible metering assembly in response to changes in liquid pressure.

FEATURES

- Flow rate: .25 - 2.50 GPM (White Tip), .15 - 1.80 GPM (Green Tip), .15 - 1.50 GPM (Blue Tip), .15 - 1.30 GPM (Yellow Tip)
- Droplet size: extremely coarse (White Tip), very coarse (Green Tip), coarse (Blue Tip), Medium (Yellow Tip) or fine (Orange Tip) • Spray angle of 120 degrees
- Uniform spray coverage along the boom and travel direction
- Quick response to rate change • Flow rate controllable on the go • Compatible with GPS/GIS
- Compatible with pressure regulators or automatic rate controllers • Quick Connection Cap or 1/4" NPT
- Adaptable to conventional spraying systems • Excellent chemical and wear resistance
- Flexible and large orifices allowing significant reduction in nozzle plugging

APPLICATION CHART (White Tip)

Reference Pressure PSI	Flow Rate GPM	Gallons Per Acre 20 Inch Tip Spacing								
		4 MPH	6 MPH	8 MPH	10 MPH	12 MPH	15 MPH	20 MPH	22 MPH	24 MPH
15	0.25	18.6	12.4	9.3	7.4	6.2	5.0	3.7	3.4	3.1
20	0.30	22.3	14.9	11.1	8.9	7.4	5.9	4.5	4.1	3.7
34	0.40	29.7	19.8	14.9	11.9	9.9	7.9	5.9	5.4	5.0
37	0.60	44.6	29.7	22.3	17.8	14.9	11.9	8.9	8.2	7.4
39	0.80	59.4	39.6	29.7	23.8	19.8	15.8	11.9	10.9	9.9
41	1.00	74.3	49.5	37.1	29.7	24.8	19.8	14.9	13.6	12.4
43	1.20	89.1	59.4	44.6	35.6	29.7	23.8	17.8	16.3	14.9
45	1.40	104.0	69.3	52.0	41.6	34.7	27.7	20.8	19.0	17.3
50	1.60	118.8	79.2	59.4	47.5	39.6	31.7	23.8	21.8	19.8
55	1.80	133.7	89.1	66.8	53.5	44.6	35.6	26.7	24.5	22.3
60	2.00	148.5	99.0	74.3	59.4	49.5	39.6	29.7	27.2	24.8
85	2.40	178.2	118.8	89.1	71.3	59.4	47.5	35.6	32.6	29.7